

NATURE CYCLE

MYSTERY TOUR

CYCLETHERAPY SOUL

BICYCLE FILMS

THE BIG CYCLE

BIKE ART EXHIBITION

MAEVE HIGGINS

MEALS ON WHEELS



**kerry
bicycle
festival | 6th - 13th May 2011**
www.kerrybicyclevestival.org

FRIDAY 6TH OF MAY (RUNS UNTIL 27TH OF MAY)

FRAME: ART CYCLES // FESTIVAL LAUNCH - ALL WELCOME

Venue // Siamsa Tire, Tralee // 6.30 pm

Event Details // The festival opens with the launch of *Frame: Art Cycles*, an eclectic collection of art and sculpture which proves that not only is the bicycle the most efficient form of transportation but also a powerful artistic muse. There'll be drinks and nibbles and a few words from Tralee's own cycle enthusiast Dick Spring.

RACE ACROSS AMERICA - FEATURE LENGTH DOCUMENTARY

Venue // Siamsa Tire, Tralee // 8 pm

Event Details // *Race Across America* is the story of one of the world's toughest sporting events. The goal is to pedal a bicycle 3000 miles across America in just ten days. The brave souls who accept the challenge must find and crush their physical, emotional, and spiritual limits, or risk being left humbled somewhere on the roads of America. In association with Kerry Film Festival - www.kerryfilmfestival.com

SATURDAY 7TH OF MAY

SQUARE WHEELS // THE JOCULATOR

Venue // Tralee Town Square // 1 pm onwards

Event Details // The Joculator is an electro-acoustic vehicle created by artist George Higgs. A work of primitive sophistication featuring an on-board computer and 200 watts of quadraphonic sound, all propelled by a bike! There will also be bicycle beats from a selection of bike-loving DJs, and Kerry's finest Samba band - Samba Cúisle. Our mobile bicycle studio will be there as usual to take your bicycle portrait.

THE BIG CYCLE

Venue // Tralee Town Square // 3 pm

Event Details // We will be assembling at 3 o'clock in the town square for a fun all-ages cycle through Tralee and environs. The cycle will be led by a Garda Community Officer. The Big Cycle is an opportunity for both experienced and inexperienced cyclists to take to the saddle and collectively celebrate the simple joy that is a cycle ride.

SLOW BICYCLE RACE & GARDA VERSUS POSTMAN RACE

Venue // Tralee Town Square // 4.30 pm

Event Details // This event proves definitively that slow and steady really does win the race. Rules are simple - the winner is the last to cross the finish line, riders must move forward and feet must stay on the pedals. Don't be slow to enter.

CYCLING SHORTS

Venue // The Windmill Auditorium, Blennerville // 7 pm

Event Details // Come and watch a bundle of little shorts featuring, or inspired by, bicycles. We'll be snuggling up in the windmill for this viewing session. **Limited places** so come early. Bicycle convoy departing Tralee Town Square, meeting from 6 for 6.30 departure.

CYCLE THERAPY

Venue // Roundy's // 10 pm till late.

Event Details // Funk, Soul, and Bicycle Brakes, with DJ Socket Twomey.

SUNDAY 8TH OF MAY

NATURE CYCLE

Meeting Point // Moyderwell Allotments // 12 pm

Event Details // Cathy and Niamh from Gortbrack Organic Farm will take you on a nature cycle, starting in the Moyderwell Allotments with a look at the vegetables and herbs followed by a cycle out to Ballyseedy Woods to explore local biodiversity and habitats. In association with Kerry Earth Education Project - www.gortbrackorganicfarm.com

PICNIC CYCLE TO FENIT

Meeting Point // Tralee Town Square // 3 pm

Event Details // Whoever feels like a slightly more challenging cycle is invited to come along with us as we cycle out to Fenit to chat, eat brownies, drink tea, play frisbee, swim, and enjoy ourselves. Feel free to throw some of your own baked goods into the mix.

TUESDAY 10TH OF MAY

MEALS ON WHEELS

Meeting Point // Tralee Town Square // 6 pm

Event Details // Starter in one restaurant, hop on yer bike and cycle to your mains in the next ... You get the idea. Five courses. **Limited places**. Cost: €25 // Tickets for sale at the launch of the Kerry Bicycle Festival in Siamsa Tire on Friday 6th May at 6.30 pm.

WEDNESDAY 11TH OF MAY

CYCLE-ACOUSTIC WORKSHOP WITH MACDARA AND MAGOO

Venue // Siamsa Gallery, Tralee // 6.30 pm

Event Details // Suitable for people who like to get their hands dirty on the creative front. There'll be plenty of bicycles, spare parts, oily rags, tools, improvisation and music.

THURSDAY 12TH OF MAY

CYCLING ADVOCACY FORUM

Venue // Siamsa Tire // 6.30 pm

Event Details // A public forum to discuss the development of cycling policy in Kerry, chaired by Transportation Consultant Damien Ó Tuama who was the main author of the National Cycle Policy Framework Document. The Transition Towns Transport Working Group will introduce a project to make Tralee more cycle friendly.

COMEDY WITH MAEVE HIGGINS // MY LOVELY BICYCLE COMPETITION.

Venue // Grand Hotel // 8 pm

Event Details // 'Higgins is rarer than a blessing of unicycles ... she is original and relatively calm, her observations are pithy, her wit delicate, her persona oddly alluring and deftly honest.' The Irish Times. Also polish up those handlebars, buff up that saddle, it's the third annual My Lovely Bicycle Competition, hosted by Maeve Higgins after her gig. **Limited places**. Cost: €12. Tickets for sale at Lee Records and Roundy's Bar.

FRIDAY 13TH MAY

MAGICAL MYSTERY TOUR ... ON BIKES

Meeting Point // Tralee Town Square // 7 - 9 pm

Event Details // If we told you it wouldn't be a mystery. Needless to say, there'll be bicycles.

DID YOU KNOW ...

... that outside of Dublin and Galway, Tralee has the highest percentage of commuter cyclists in the country. Not only is it safe, healthy, and sustainable, but it's also great fun, and that's why the Kerry Bicycle Festival came about.

Come along to the **Kerry Bicycle Festival launch and exhibition at 6.30 pm, Friday, May 6th at Siamsa Tire** and take a peek at what's going on. We would also love to see cyclists of all ages and abilities saddle up for the **BIG CYCLE on Saturday, May 7th at 3 pm**.

Tralee has the potential to become a more cycle-friendly town. To find out more or get involved, come along to the **Transition Town Cycle Advocacy talk at Siamsa Tire on Thursday 12th May at 6.30pm**.

If you want to get involved with the festival, please contact us through the website. We're always on the look out for enthusiastic people of all shapes and sizes. For more information, see www.kerrybicyclefestival.org

Please cycle safely // consider other road users // wear appropriate clothing

Associated Events:

HUMAN POWERED CINEMA on Thursday 28th April // Carlton Hotel // 8pm

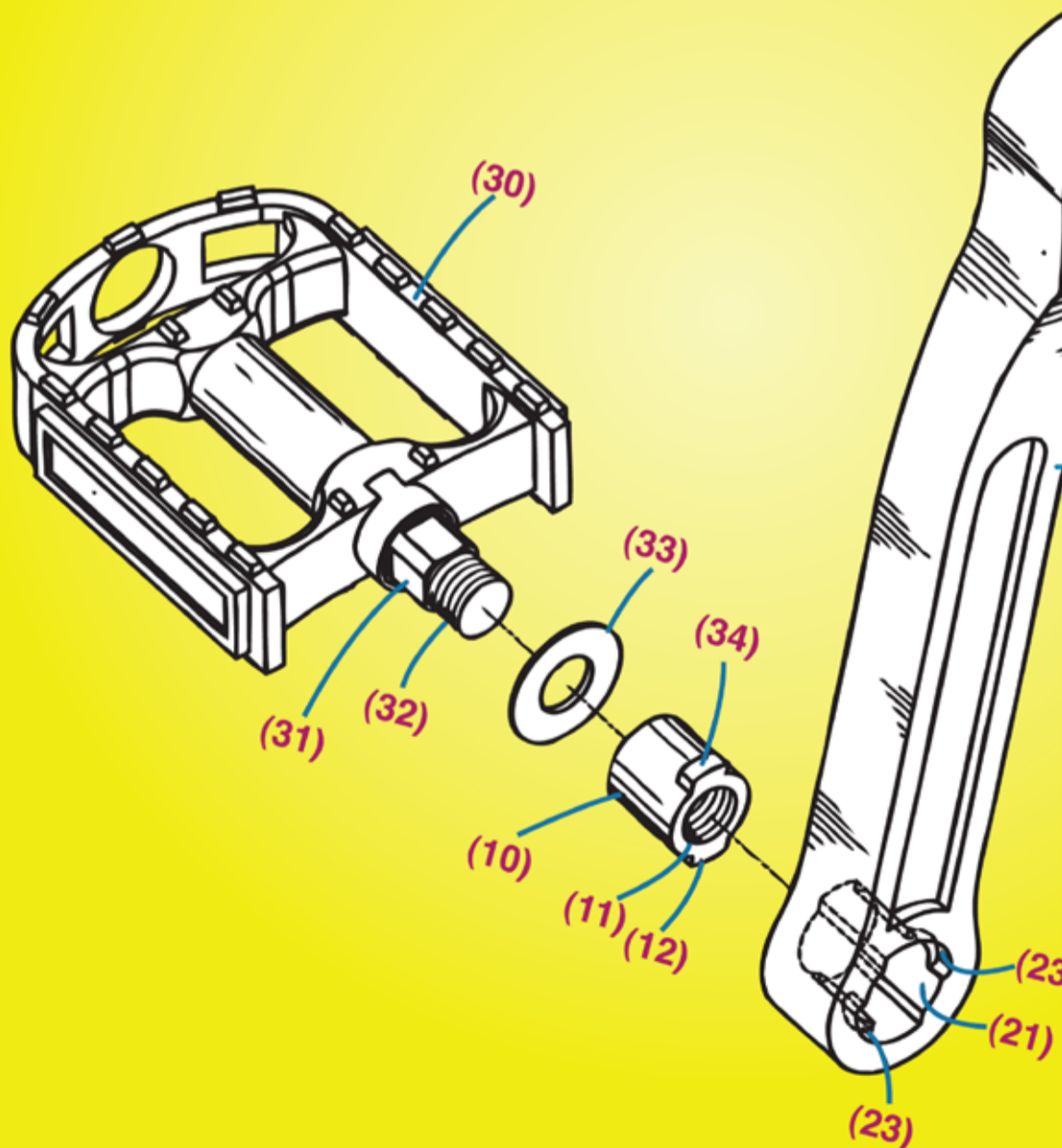
Transition Town Tralee and Gavin Harte present *Belleville Rendez-Vous*, powered by six pedalling humans.

RNLI SPONSORED CYCLE on Saturday 14th May

RNLI are holding a 50k sponsored cycle in aid of Fenit Lifeboats. For more details, call 087 6810368 or 087 2580812

FESTIVAL CLUB:

Roundy's bar on Brogue Makers Lane is our festival club for the week of the bicycle festival. Feel free to ditch your wheels at Roundy's and enjoy a pint of their legendary creamy Guinness, live music, and DJs.



GO N-FIRÍ AN ROTHAR LEAT!



kerry bicycle festival | 6th - 13th May 2011
www.kerrybicyclefestival.org